

PHILIPPGROUP

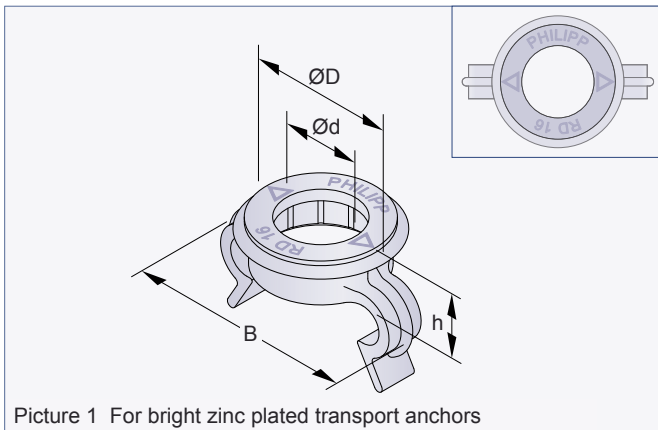
PHILIPP Marking ring with clip



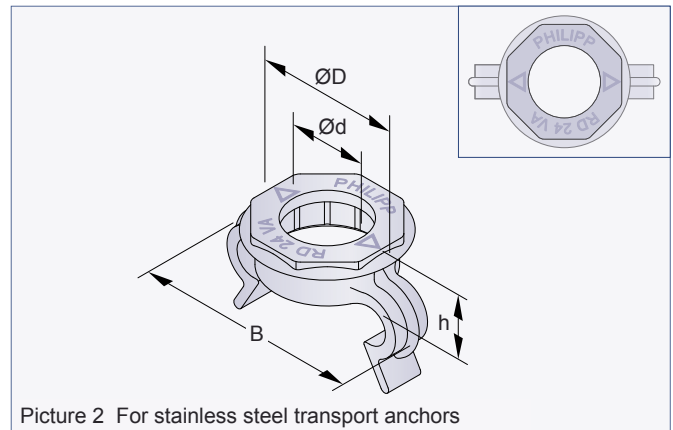
VB3-T-021-en - 01/16

Data sheet

PHILIPP Marking ring with clip



Picture 1 For bright zinc plated transport anchors



Picture 2 For stainless steel transport anchors

The Marking ring with clip is part of the PHILIPP Threaded anchor system. It is made of plastic and is used for marking the installed anchor as well as to fix additional reinforcement to the right position of the threaded insert (reinforcement for lateral or diagonal tension, see Picture 5).

Due to the colour-coded marking a quick and correct classification of the corresponding lifting device is ensured.

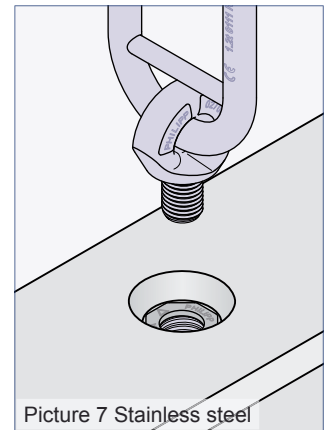
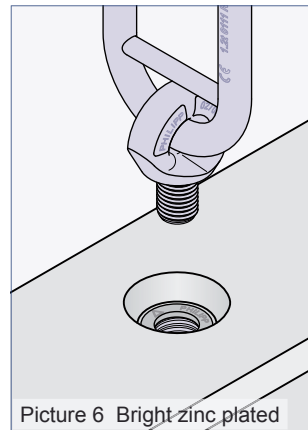
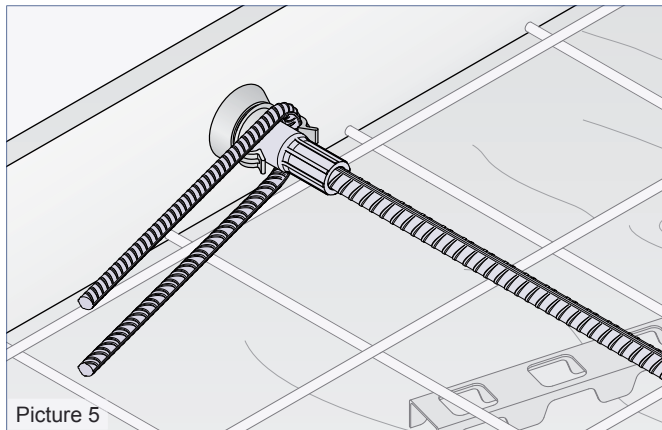
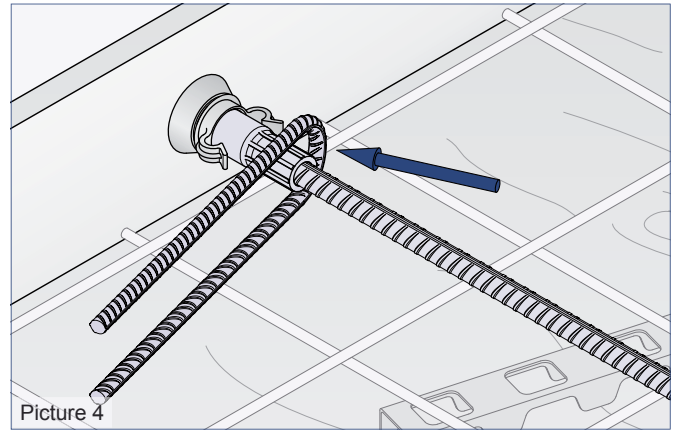
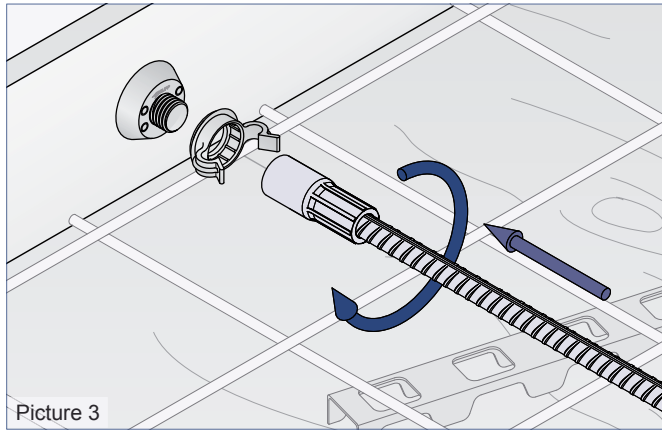
Table 1: Marking ring with clip

Ref.-No.	Type [RD/M]	ØD [mm]	Ød [mm]	B [mm]	h [mm]	Colour code	Weight [kg/100 pcs.]
For bright zinc plated transport anchors							
74KR12CLIP	12	26	13	34	10	Pastel orange	0.19
74KR14CLIP	14	30	15	38	10	Pure white	0.26
74KR16CLIP	16	31	17	45	10	Flame red	0.30
74KR18CLIP	18	35	19	48	10	Light pink	0.33
74KR20CLIP	20	37	21	55	10	Pastel green	0.38
74KR24CLIP	24	41	25	63	10	Jet black	0.44
74KR30CLIP	30	52	31	72	10	Emerald green	0.59
74KR36CLIP	36	57	37	84	10	Light blue	0.71
74KR42CLIP	42	64	43	95	13	Silver grey	0.93
74KR52CLIP	52	80	53	117	13	Sulfur yellow	1.41
For stainless steel transport anchors							
74KR24CLIPVA	24	41	25	64	10	Jet black	0.44
74KR30CLIPVA	30	52	31	70	10	Emerald green	0.59
74KR36CLIPVA	36	57	37	87	10	Light blue	0.71

Installation

The Marking ring is put over the threaded insert prior the installation of the anchor. Finally the Threaded transport anchor is fixed to the mould with a corresponding accessory (e.g. Plastic nailing plate).

Here it must be paid attention that the Marking ring with clip points to the right direction. Now the required reinforcement (e.g. rebar for diagonal tension) can be pressed into the clip and fixed to the reinforcement.



Notes:

A large grid of graph paper for taking notes, consisting of 20 columns and 30 rows of small squares.