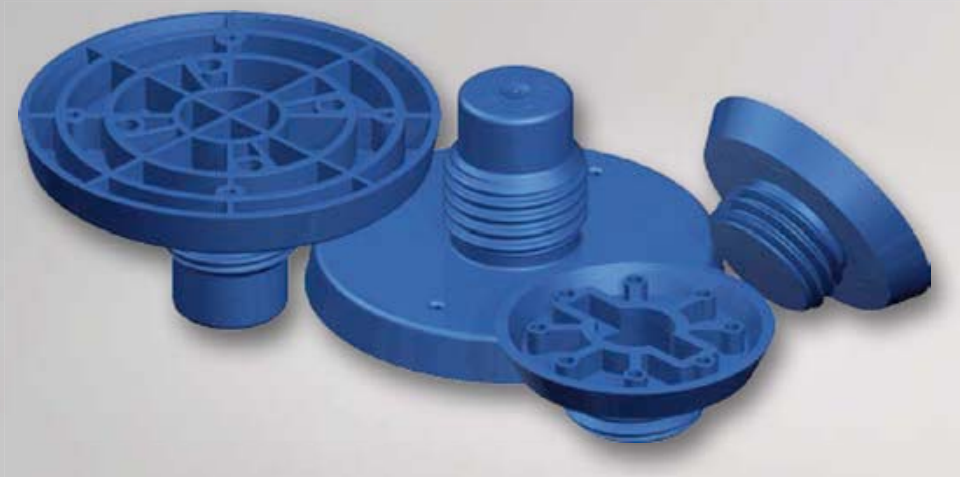


# PHILIPPGROUP

## PHILIPP Nailing plate (plastic)



VB3-T-021-en - 01/16

Data sheet

**PHILIPP Nailing plate (plastic)**

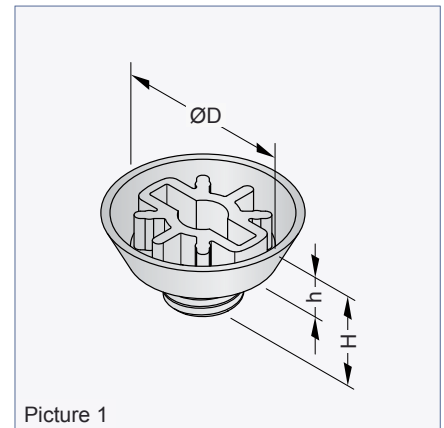
The Nailing plates are used to fix threaded transport anchors and lifting inserts as well as fixing sockets to the mould. They are nailed easily to the mould through the indicated nail holes (Picture 3).

Finally the threaded anchor can be screwed on. Also a gluing of the Nailing plate (plastic) to the mould is possible (Picture 4).

All standard plastic Nailing plates (see Table 1) can be combined with the PHILIPP lifting devices Lifting loop with threaded end and Lifty. Special PHILIPP recess formers made of steel have to be used if the Wirbelstar is taken (see data sheet PHILIPP Steel and magnetic recess formers). For the sizes RD/M 36 up to RD/M 52 these recess formers are also available in plastic (Table 2).

**Table 1: Nailing plates (for Lifty)**

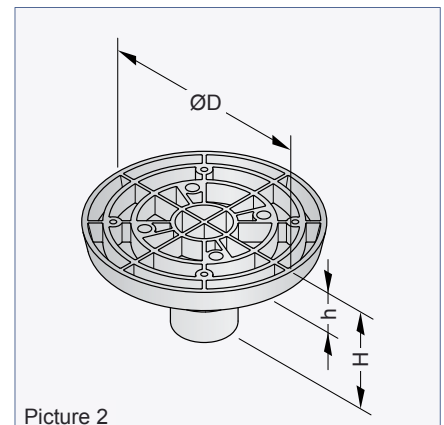
Ref.-No.	Type [RD/M]	ØD [mm]	H [mm]	h [mm]	Colour code	Weight [kg/100 pcs.]
72KHN10	10	40	20	10	Light blue	0.49
72KHN12	12	40	20	10	Pastel orange	0.51
72KHN14	14	40	20	10	Pure white	0.55
72KHN16	16	40	20	10	Flame red	0.59
72KHN18	18	55	25	10	Light pink	1.07
72KHN20	20	55	25	10	Pastel green	1.15
72KHN24	24	55	25	10	Jet black	1.30
72KHN30	30	70	30	10	Emerald green	1.97
72KHN36	36	70	30	10	Light blue	2.34
72KHN42	42	96	35	12	Silver grey	5.17
72KHN52	52	96	35	12	Sulfur yellow	6.50



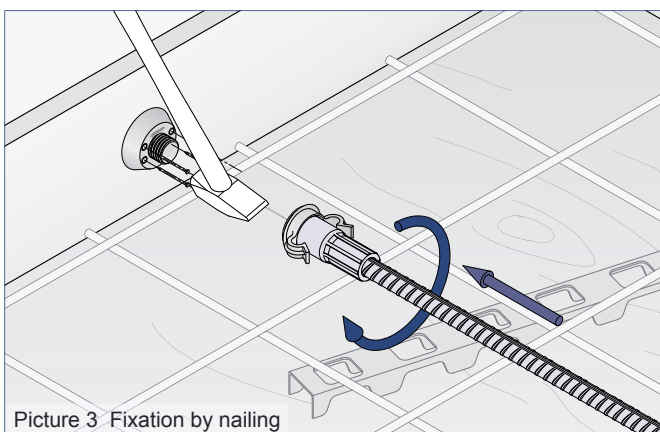
Picture 1

**Table 2: Nailing plates (for Wirbelstar)**

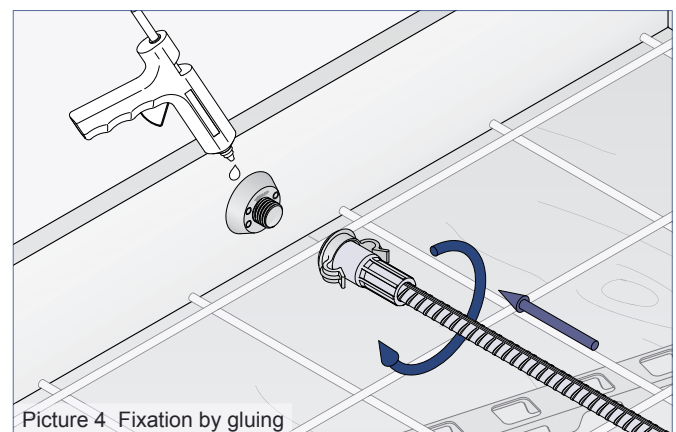
Ref.-No.	Type [RD/M]	ØD [mm]	H [mm]	h [mm]	Colour code	Weight [kg/100 pcs.]
72KHN36WS	36	105	54	12	Light blue	5.69
72KHN42WS	42	115	58	15	Silver grey	7.66
72KHN52WS	52	136	57	15	Sulfur yellow	8.89



Picture 2



Picture 3 Fixation by nailing

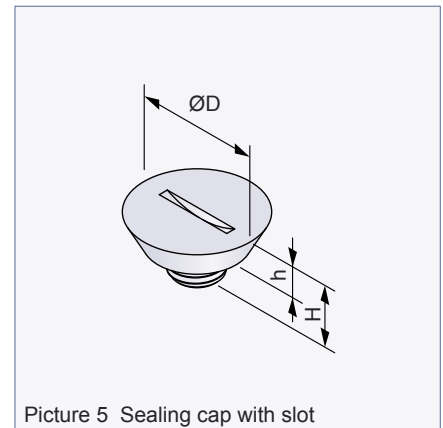


Picture 4 Fixation by gluing

## Sealing caps

**Table 3: Sealing cap (stainless steel with slot)**

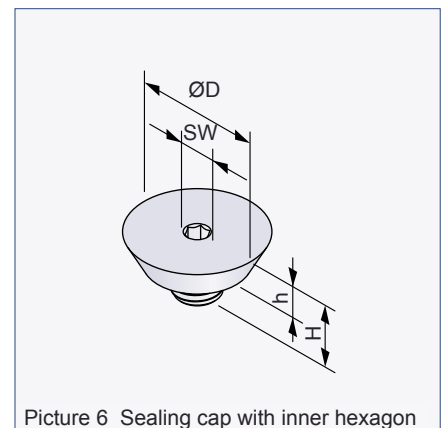
Ref.-No.	Type [RD/M]	ØD [mm]	H [mm]	h [mm]	Weight [kg/100 pcs.]
72ASKHN10VA-S	10	40	18	10	7.9
72ASKHN12VA-S	12	40	18	10	8.1
72ASKHN14VA-S	14	40	18	10	8.3
72ASKHN16VA-S	16	40	18	10	8.6
72ASKHN18VA-S	18	55	22	10	17.3
72ASKHN20VA-S	20	55	22	10	17.7
72ASKHN24VA-S	24	55	22	10	19.3
72ASKHN30VA-S	30	70	25	10	33.8
72ASKHN36VA-S	36	70	25	10	37.2
72ASKHN42VA-S	42	96	30	12	82.2
72ASKHN52VA-S	52	96	35	12	93.1



Picture 5 Sealing cap with slot

**Table 4: Sealing cap (stainless steel with inner hexagon)**

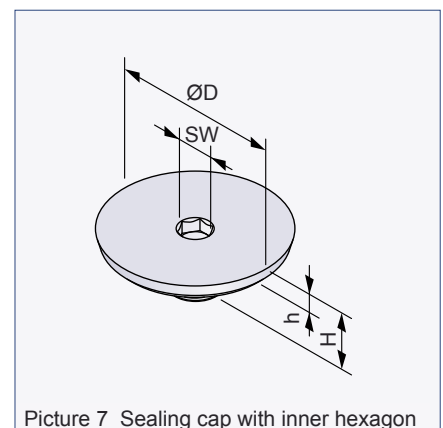
Ref.-No.	Type [RD/M]	ØD [mm]	H [mm]	h [mm]	SW [mm]	Weight [kg/100 pcs.]
72ASKHN10VA-ISK	10	40	18	10	6	7.8
72ASKHN12VA-ISK	12	40	18	10	6	8.0
72ASKHN14VA-ISK	14	40	18	10	6	8.3
72ASKHN16VA-ISK	16	40	18	10	6	8.6
72ASKHN18VA-ISK	18	55	22	10	6	17.2
72ASKHN20VA-ISK	20	55	22	10	6	17.6
72ASKHN24VA-ISK	24	55	22	10	6	19.2
72ASKHN30VA-ISK	30	70	25	10	6	33.8
72ASKHN36VA-ISK	36	70	25	10	6	37.2
72ASKHN42VA-ISK	42	96	30	12	6	82.2
72ASKHN52VA-ISK	52	96	35	12	6	93.0



Picture 6 Sealing cap with inner hexagon

**Table 5: Sealing cap Wirbelstar (stainless steel with inner hexagon)**

Ref.-No.	Type [RD/M]	ØD [mm]	H [mm]	h [mm]	SW [mm]	Weight [kg/100 pcs.]
72ASKHN36WSVAISK	36	105	35	12	14	90.0
72ASKHN42WSVAISK	42	115	40	15	17	136.0
72ASKHN52WSVAISK	52	136	45	15	17	200.0



Picture 7 Sealing cap with inner hexagon

## Application

The Sealing cap in stainless steel closes the recess created by the Nailing plate completely. On the top each cap has a small slot or an inner hexagon for screwing. Hence, the Sealing cap in stainless steel offers an optically attractive

solution to close the recess flush to the concrete surface. In order to avoid the penetration of moisture the Sealing cap in stainless steel should be pasted into the socket with a self-adhesive sealant.

