

PHILIPPGROUP

PHILIPP Steel and Magnetic recess former



VB3-T-024-en - 01/16

for Wirbelstar

Data sheet

PHILIPP Steel and Magnetic recess former

The Steel and Magnetic recess formers are used to fix threaded transport anchors and lifting inserts as well as fixing sockets to the mould. With continuous nail holes the fixing to a wooden mould by nailing becomes quite easy. Alternatively, for steel moulds a Magnetic recess former is available (Picture 2, Table 2). The usage of the recess former ensures a full-surface contact for the pressure plate of the Wirbelstar.

Both recess formers (Table 1) can be combined with the PHILIPP lifting devices Lifting loop with threaded end and Wirbelstar.

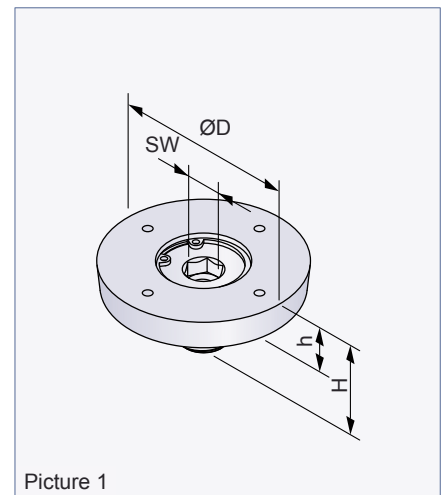
Resulting recesses in the precast concrete element can be sealed with caps made of stainless steel. Their dimensions correspond with those of the recess formers. Upon request stainless steel sealing caps are available with a slot or internal hexagon (see Table 3 and Table 4).

It is recommended to oil the magnetic body and the threaded stud to ensure an effortless loosening of the magnetic recess former. To avoid a rotation of the threaded stud the threaded anchor or insert must be combined with the magnetic recess former prior fixing to the mould (attention: tighten the threaded stud only hand-tight). Pay attention that the threaded insert has contact to the magnetic recess former. If it is necessary to move the magnet on the mould please use a plastic hammer or hammer shaft. The threaded anchor must not be used as lever arm otherwise the magnetic recess former could be damaged.

In order that the adhesive force is not reduced the bond area must always be kept clean and unevenness must be removed. Any heating of the magnetic recess former is inadmissible because the magnetic structure can be destroyed.

Table 1: Steel recess former

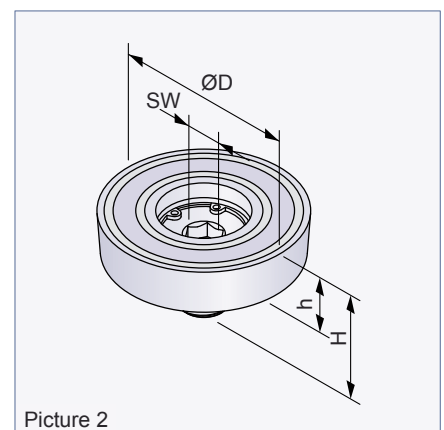
Ref.-No.	Type [RD/M]	ØD [mm]	H [mm]	h [mm]	SW [mm]	Weight [kg/100 pcs.]
72SAT12K	12	50.0	23	10	8	14.0
72SAT14K	14	55.5	25	10	8	18.0
72SAT16K	16	59.5	27	10	10	21.0
72SAT18K	18	62.5	28	10	10	23.0
72SAT20K	20	73.5	31	10	10	34.0
72SAT24K	24	78.0	35	12	14	45.0
72SAT30K	30	95.0	43	12	14	72.0
72SAT36K	36	105.0	48	12	14	93.0
72SAT42K	42	115.0	59	15	17	142.0
72SAT52K	52	136.0	69	15	17	220.0
72SAT56K	56	155.0	76	18	17	329.0
72SAT60K	60	155.0	78	18	17	344.0



Picture 1

Table 2: Magnetic recess former

Ref.-No.	Type [RD/M]	ØD [mm]	H [mm]	h [mm]	SW [mm]	Weight [kg/100 pcs.]
72SATM12K	12	50.5	25	12	8	15.0
72SATM14K	14	55.5	27	12	8	17.0
72SATM16K	16	59.5	32	15	10	26.0
72SATM18K	18	62.5	32	15	10	28.0
72SATM20K	20	73.5	36	15	10	35.0
72SATM24K	24	78.0	38	15	14	45.0
72SATM30K	30	95.0	46	15	14	72.0
72SATM36K	36	105.0	51	15	14	99.0
72SATM42K	42	115.0	59	15	17	124.0
72SATM52K	52	136.0	69	15	17	185.0

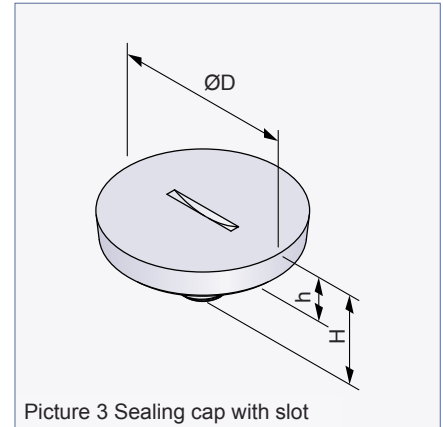


Picture 2

Sealing caps

Table 3: Sealing cap (stainless steel with slot)

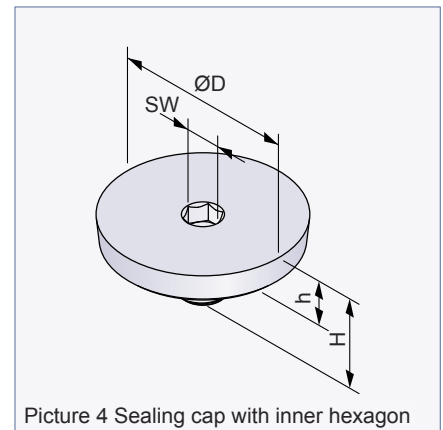
Ref.-No.	Type [RD/M]	ØD [mm]	H [mm]	h [mm]	Weight [kg/100 pcs.]
72ASSAT12VA-S	12	50.5	22	10	14.0
72ASSAT14VA-S	14	55.5	22	10	18.0
72ASSAT16VA-S	16	59.5	25	10	21.0
72ASSAT18VA-S	18	62.5	27	10	23.0
72ASSAT20VA-S	20	73.5	27	10	34.0
72ASSAT24VA-S	24	78.0	27	12	45.0
72ASSAT30VA-S	30	95.0	30	12	72.0
72ASSAT36VA-S	36	105.0	30	12	93.0
72ASSAT42VA-S	42	115.0	35	15	142.0
72ASSAT52VA-S	52	136.0	35	15	220.0



Picture 3 Sealing cap with slot

Table 4: Sealing cap (stainless steel with inner hexagon)

Ref.-No.	Type [RD/M]	ØD [mm]	H [mm]	h [mm]	SW [mm]	Weight [kg/100 pcs.]
72ASSAT12VA-ISK	12	50.5	22	10	8	14.0
72ASSAT14VA-ISK	14	55.5	22	10	8	18.0
72ASSAT16VA-ISK	16	59.5	25	10	10	21.0
72ASSAT18VA-ISK	18	62.5	27	10	10	23.0
72ASSAT20VA-ISK	20	73.5	27	10	10	34.0
72ASSAT24VA-ISK	24	78.0	27	12	14	45.0
72ASSAT30VA-ISK	30	95.0	30	12	14	72.0
72ASSAT36VA-ISK	36	105.0	30	12	14	93.0
72ASSAT42VA-ISK	42	115.0	35	15	17	142.0
72ASSAT52VA-ISK	52	136.0	35	15	17	220.0



Picture 4 Sealing cap with inner hexagon

Application

The Sealing cap in stainless steel closes the recess created by the Magnetic recess former and steel recess former completely.

On the top each cap has a small slot or an inner hexagon for screwing. Hence, the Sealing cap in stainless steel of-

fers an optically attractive solution to close the recess flush to the concrete surface. In order to avoid the penetration of moisture the Sealing cap in stainless steel should be pasted into the socket with a self-adhesive sealant.

