

PHILIPP GROUP

PHILIPP Threaded adapter



VB3-T-027-en - 01/16

Data sheet

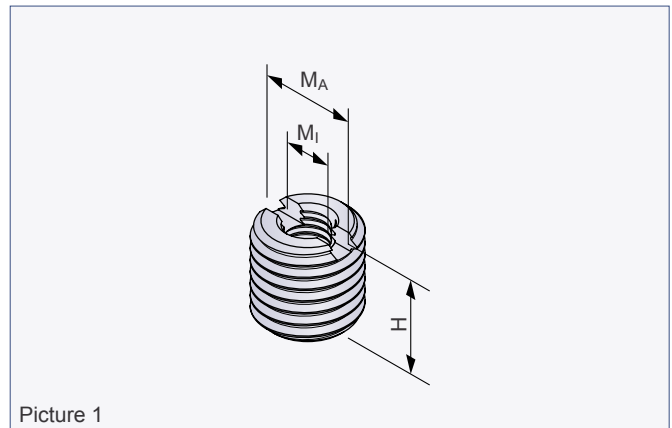
PHILIPP Threaded adapter

The Threaded adapter is made of steel and is used to fix threaded anchors or sockets to a steel or wooden mould. While using such a Threaded adapter a tight fixation and installation flush to the surface is guaranteed.

The adapter has a slot on the face side in order to remove it easily with a tool from the anchor (Picture 1).



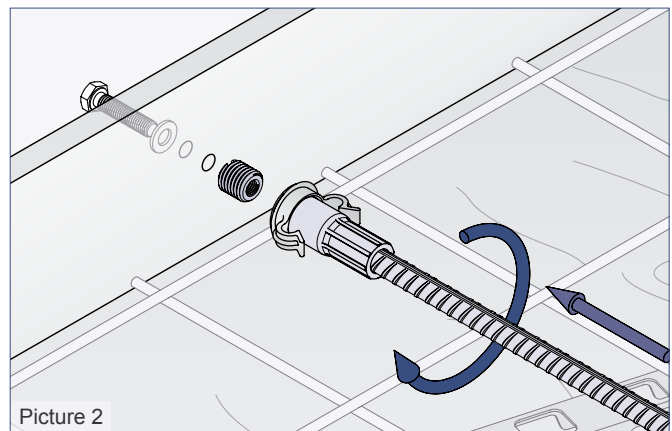
Because of the flush-to-surface installation of the adapter it can only be used with the PHILIPP lifting devices Wirbelstar, Lifting loop with threaded end and Transport loop.



Picture 1

Table 1: Dimensions of the Threaded adapter

Ref.-No.	Type [RD/M]	M _A	M _I	H [mm]	Weight [kg/100 pcs.]
72GST1206	12	M12	M6	16	1.0
72GST1406	14	M14	M6	16	2.0
72GST1608	16	M16	M8	16	2.0
72GST1808	18	M18	M8	16	3.0
72GST2008	20	M20	M8	16	3.0
72GST2410	24	M24	M10	16	5.0
72GST3010	30	M30	M10	16	8.0
72GST3610	36	M36	M10	16	11.0
72GST4210	42	M42	M10	16	16.0
72GST5210	52	M52	M10	16	25.0



Picture 2