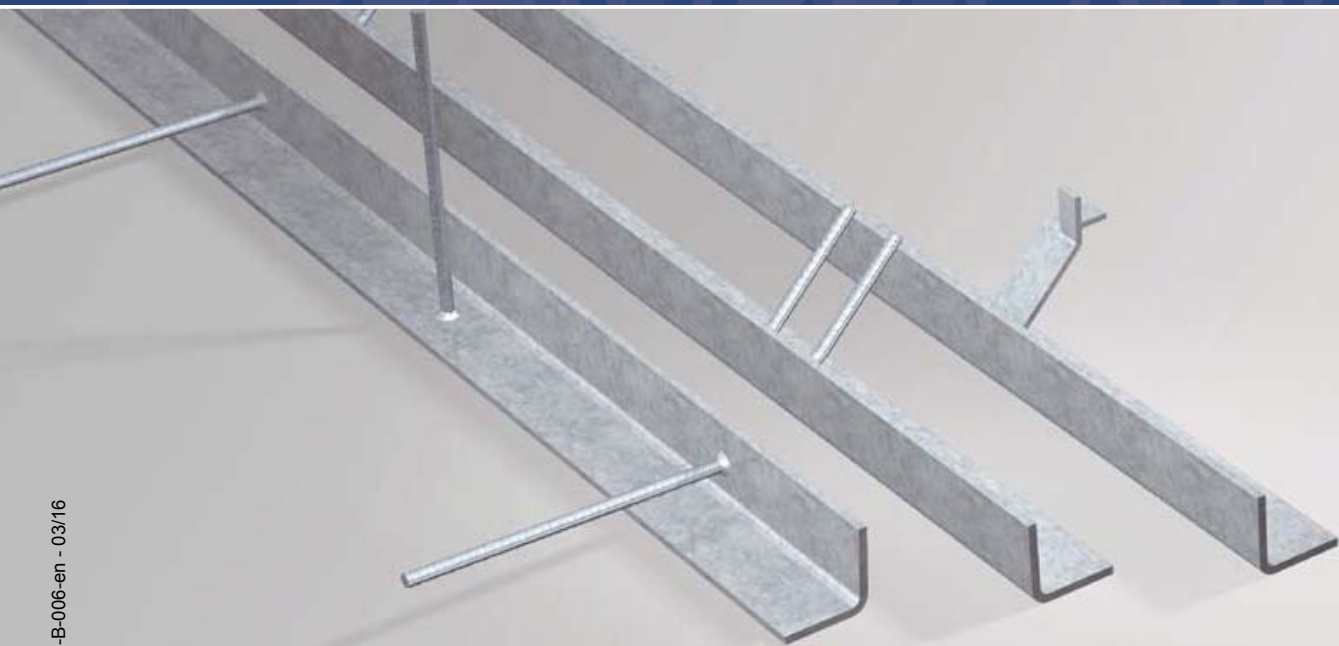


PHILIPPGROUP

PHILIPP Corner guard



VB3-B-006-en - 03/16

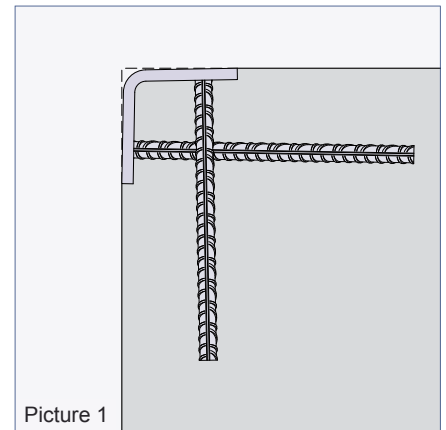
Data sheet

PHILIPP Corner guard

The PHILIPP Corner guard for prefabricated building is used as an edge protection for e.g. columns and panels in industrial buildings, hospitals, parking garages etc. and thus prevents damages to the concrete caused by impact of e.g. vehicles.

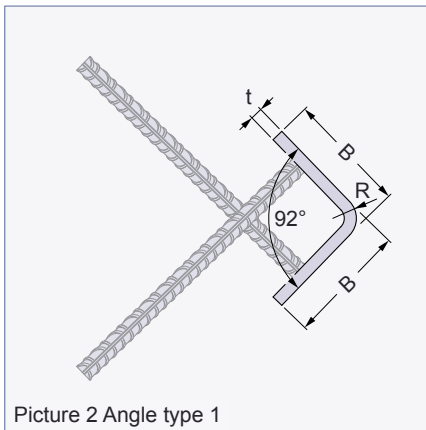
The Corner guard can be supplied with different angle and reinforcement types so that it meets different requirements. A 92° fold of the profiles guarantees a perfect fit to the mould and a perfect concrete surface, too.

The Corner guard is available in hot-dip galvanised steel as well as in stainless steel SS304 and SS316. Supplied as ready-to-install including welded reinforcement.

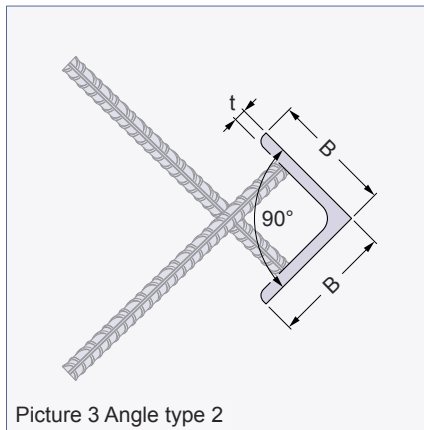


	Type 1	Type 2	Type 3
Angle			
	82KSW 1 A 050 1500 FV FV - hot-dip galvanised A4 - stainless steel SS316 A2 - stainless steel SS304		
Reinforcement			
	Type A	Type B	Type C

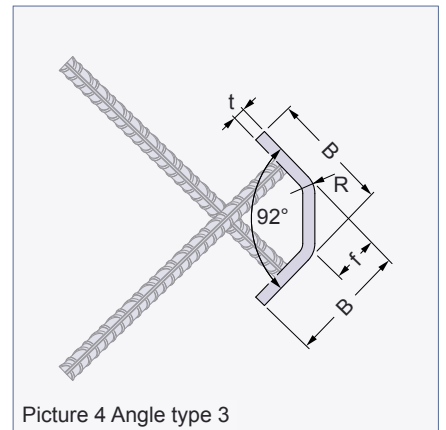
Dimensions



Picture 2 Angle type 1



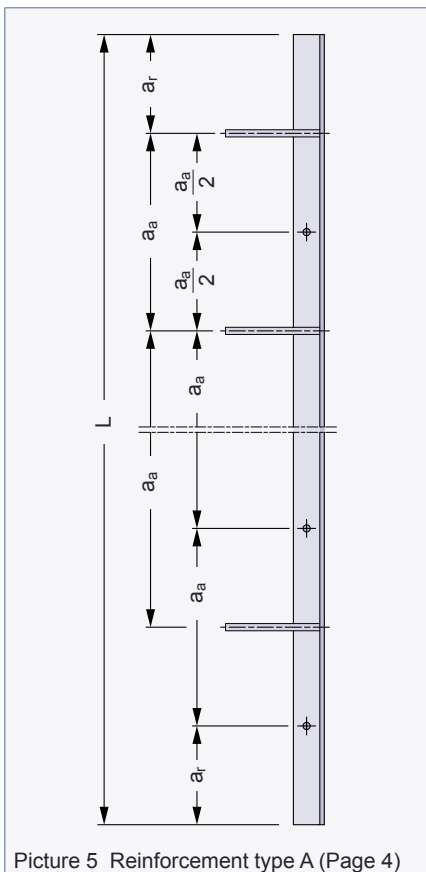
Picture 3 Angle type 2



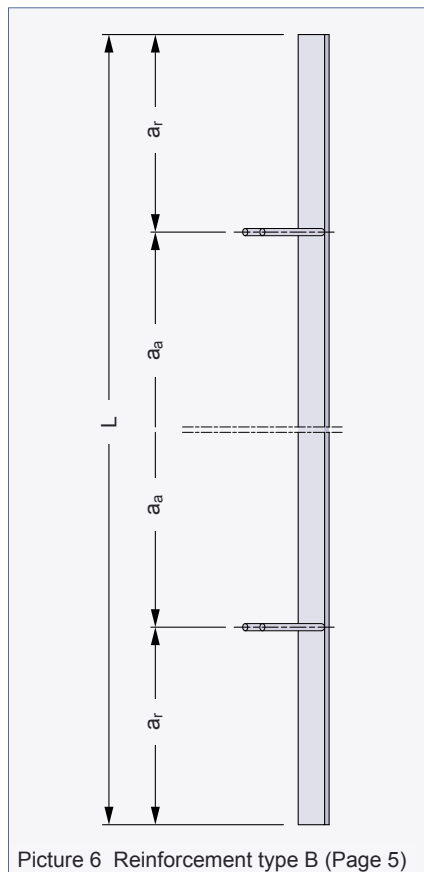
Picture 4 Angle type 3

Table 1: Dimensions of the angle

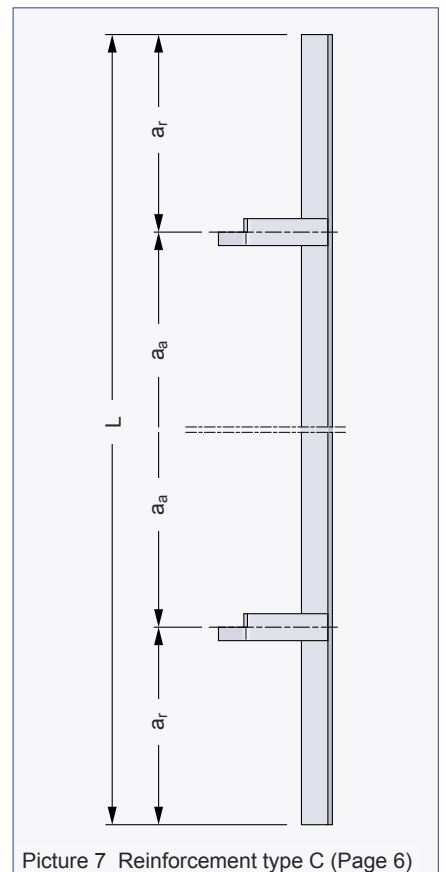
Ref.-No.	B [mm]	t [mm]	L [mm]	R [mm]	f [mm]
82KSW1_050	50	5	1000 / 1500 / 2000	10	-
82KSW1_060	60	6	1000 / 1500 / 2000	12	-
82KSW1_080	80	6	1000 / 1500 / 2000	12	-
82KSW1_100	100	8	1000 / 1500 / 2000	16	-
82KSW2_050	50	5	1000 / 1500 / 2000	-	-
82KSW2_060	60	6	1000 / 1500 / 2000	-	-
82KSW2_080	80	8	1000 / 1500 / 2000	-	-
82KSW2_100	100	8	1000 / 1500 / 2000	-	-
82KSW3_050	53	5	1000 / 1500 / 2000	10	20
82KSW3_060	64	6	1000 / 1500 / 2000	12	20
82KSW3_080	84	6	1000 / 1500 / 2000	12	20
82KSW3_100	110	8	1000 / 1500 / 2000	16	40



Picture 5 Reinforcement type A (Page 4)

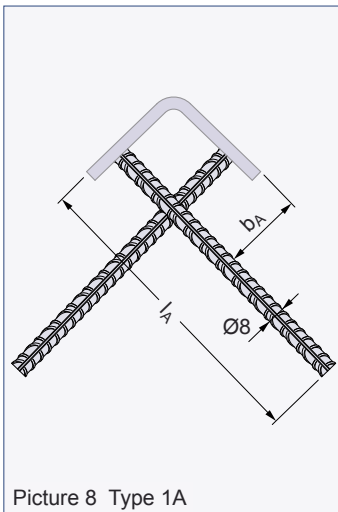


Picture 6 Reinforcement type B (Page 5)



Picture 7 Reinforcement type C (Page 6)

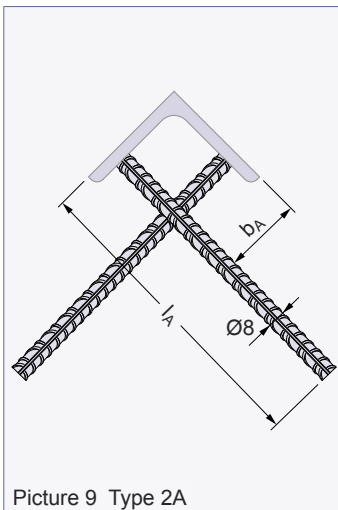
Corner guard type 1A / 2A / 3A



Picture 8 Type 1A

Table 2: Corner guard type 1A

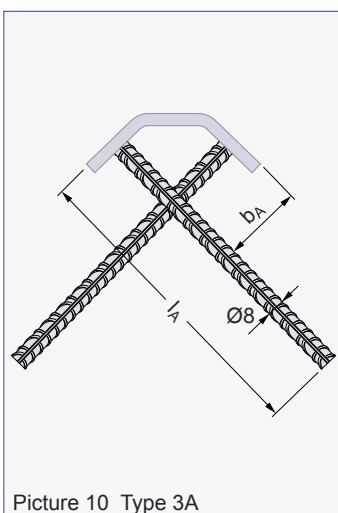
Ref.-No.	Angle Type 1	L [mm]	l _A [mm]	b _A [mm]	a _r [mm]	a _a [mm]	Anchor [Piece]	Weight [kg/pc.]
82KSW1A0501000__	50×5	1000	195	31	125	500	4	3.85
82KSW1A0501500__		1500	195	31	125	500	6	5.78
82KSW1A0502000__		2000	195	31	125	500	8	7.70
82KSW1A0601000__	60×6	1000	196	38	125	500	4	5.51
82KSW1A0601500__		1500	196	38	125	500	6	8.26
82KSW1A0602000__		2000	196	38	125	500	8	11.01
82KSW1A0801000__	80×6	1000	196	59	125	500	4	7.39
82KSW1A0801500__		1500	196	59	125	500	6	11.09
82KSW1A0802000__		2000	196	59	125	500	8	14.78
82KSW1A1001000__	100×8	1000	198	81	125	500	4	12.28
82KSW1A1001500__		1500	198	81	125	500	6	18.42
82KSW1A1002000__		2000	198	81	125	500	8	24.56



Picture 9 Type 2A

Table 3: Corner guard type 2A

Ref.-No.	Angle Type 2	L [mm]	l _A [mm]	b _A [mm]	a _r [mm]	a _a [mm]	Anchor [Piece]	Weight [kg/pc.]
82KSW2A0501000__	50×5	1000	195	31	125	500	4	4.07
82KSW2A0501500__		1500	195	31	125	500	6	6.11
82KSW2A0502000__		2000	195	31	125	500	8	8.14
82KSW2A0601000__	60×6	1000	196	36	125	500	4	5.72
82KSW2A0601500__		1500	196	36	125	500	6	8.58
82KSW2A0602000__		2000	196	36	125	500	8	11.44
82KSW2A0801000__	80×8	1000	196	56	125	500	4	9.93
82KSW2A0801500__		1500	196	56	125	500	6	14.90
82KSW2A0802000__		2000	196	56	125	500	8	19.86
82KSW2A1001000__	100×8	1000	198	76	125	500	4	12.50
82KSW2A1001500__		1500	198	76	125	500	6	18.75
82KSW2A1002000__		2000	198	76	125	500	8	25.00



Picture 10 Type 3A

Table 4: Corner guard type 3A

Ref.-No.	Angle Type 3	L [mm]	l _A [mm]	b _A [mm]	a _r [mm]	a _a [mm]	Anchor [Piece]	Weight [kg/pc.]
82KSW3A0501000__	53×5	1000	195	36	125	500	4	3.85
82KSW3A0501500__		1500	195	36	125	500	6	5.78
82KSW3A0502000__		2000	195	36	125	500	8	7.70
82KSW3A0601000__	64×6	1000	196	42	125	500	4	5.51
82KSW3A0601500__		1500	196	42	125	500	6	8.26
82KSW3A0602000__		2000	196	42	125	500	8	11.01
82KSW3A0801000__	84×6	1000	196	63	125	500	4	7.39
82KSW3A0801500__		1500	196	63	125	500	6	11.09
82KSW3A0802000__		2000	196	63	125	500	8	14.78
82KSW3A1001000__	110×8	1000	198	91	125	500	4	12.28
82KSW3A1001500__		1500	198	91	125	500	6	18.42
82KSW3A1002000__		2000	198	91	125	500	8	24.56

Corner guard type 1B / 2B / 3B

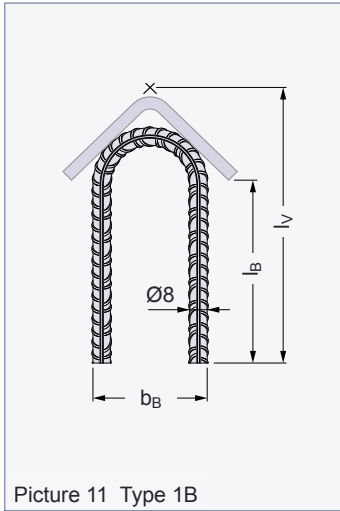


Table 5: Corner guard type 1B

Ref.-No.	Angle Type 1	L [mm]	l _v [mm]	l _B [mm]	b _B [mm]	a _r [mm]	a _a [mm]	Anchor [Piece]	Weight [kg/pc.]
82KSW1B0501000__	50×5	1000	113	75	48	250	500	2	5.19
82KSW1B0501500__		1500	113	75	48	250	500	3	7.79
82KSW1B0502000__		2000	113	75	48	250	500	4	10.38
82KSW1B0601000__	60×6	1000	114	68	48	250	500	2	6.85
82KSW1B0601500__		1500	114	68	48	250	500	3	10.27
82KSW1B0602000__		2000	114	68	48	250	500	4	13.69
82KSW1B0801000__	80×6	1000	160	100	48	250	500	2	8.73
82KSW1B0801500__		1500	160	100	48	250	500	3	13.10
82KSW1B0802000__		2000	160	100	48	250	500	4	17.46
82KSW1B1001000__	100×8	1000	163	86	48	250	500	2	13.62
82KSW1B1001500__		1500	163	86	48	250	500	3	20.43
82KSW1B1002000__		2000	163	86	48	250	500	4	27.24

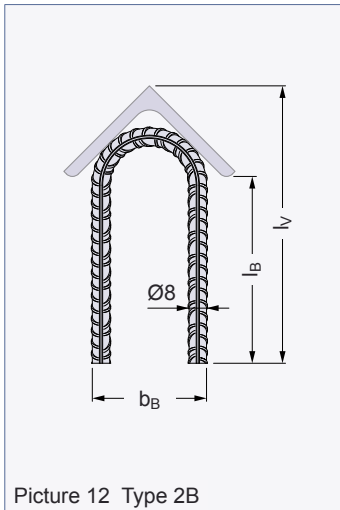


Table 6: Corner guard type 2B

Ref.-No.	Angle Type 2	L [mm]	l _v [mm]	l _B [mm]	b _B [mm]	a _r [mm]	a _a [mm]	Anchor [Piece]	Weight [kg/pc.]
82KSW2B0501000__	50×5	1000	114	76	48	250	500	2	5.41
82KSW2B0501500__		1500	114	76	48	250	500	3	8.12
82KSW2B0502000__		2000	114	76	48	250	500	4	10.82
82KSW2B0601000__	60×6	1000	115	69	48	250	500	2	7.06
82KSW2B0601500__		1500	115	69	48	250	500	3	10.59
82KSW2B0602000__		2000	115	69	48	250	500	4	14.12
82KSW2B0801000__	80×8	1000	161	101	48	250	500	2	11.27
82KSW2B0801500__		1500	161	101	48	250	500	3	16.91
82KSW2B0802000__		2000	161	101	48	250	500	4	22.54
82KSW2B1001000__	100×8	1000	164	88	48	250	500	2	13.84
82KSW2B1001500__		1500	164	88	48	250	500	3	20.76
82KSW2B1002000__		2000	164	88	48	250	500	4	27.68

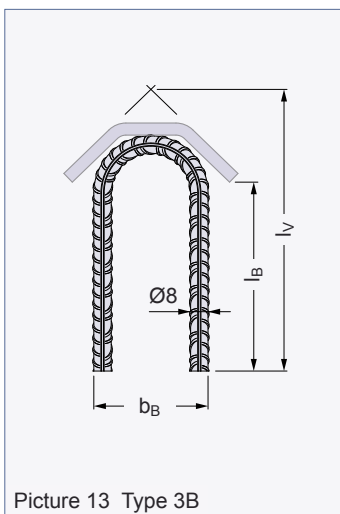


Table 7: Corner guard type 3B

Ref.-No.	Angle Type 3	L [mm]	l _v [mm]	l _B [mm]	b _B [mm]	a _r [mm]	a _a [mm]	Anchor [Piece]	Weight [kg/pc.]
82KSW3B0501000__	53×5	1000	115	75	48	250	500	2	5.19
82KSW3B0501500__		1500	115	75	48	250	500	3	7.79
82KSW3B0502000__		2000	115	75	48	250	500	4	10.38
82KSW3B0601000__	64×6	1000	116	68	48	250	500	2	6.85
82KSW3B0601500__		1500	116	68	48	250	500	3	10.27
82KSW3B0602000__		2000	116	68	48	250	500	4	13.69
82KSW3B0801000__	84×6	1000	162	100	48	250	500	2	8.73
82KSW3B0801500__		1500	162	100	48	250	500	3	13.10
82KSW3B0802000__		2000	162	100	48	250	500	4	17.46
82KSW3B1001000__	110×8	1000	178	95	48	250	500	2	13.62
82KSW3B1001500__		1500	178	95	48	250	500	3	20.43
82KSW3B1002000__		2000	178	95	48	250	500	4	27.24

Corner guard type 1C / 2C / 3C

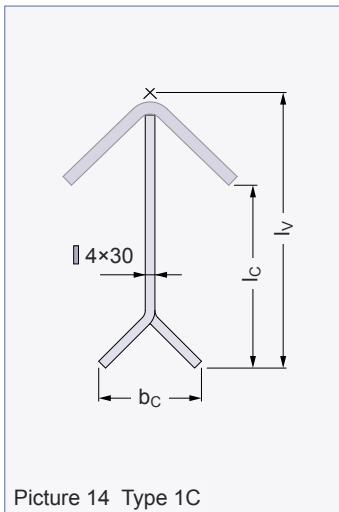


Table 8: Corner guard type 1C

Ref.-No.	Angle Type 1	L [mm]	l _v [mm]	l _c [mm]	b _c [mm]	a _r [mm]	a _a [mm]	Anchor [Piece]	Weight [kg/pc.]
82KSW1C0501000__	50×5	1000	113	75	45	250	500	2	3.76
82KSW1C0501500__		1500	113	75	45	250	500	3	5.64
82KSW1C0502000__		2000	113	75	45	250	500	4	7.52
82KSW1C0601000__	60×6	1000	115	70	45	250	500	2	5.42
82KSW1C0601500__		1500	115	70	45	250	500	3	8.12
82KSW1C0602000__		2000	115	70	45	250	500	4	10.83
82KSW1C0801000__	80×6	1000	160	100	45	250	500	2	7.39
82KSW1C0801500__		1500	160	100	45	250	500	3	11.08
82KSW1C0802000__		2000	160	100	45	250	500	4	14.77
82KSW1C1001000__	100×8	1000	164	87	45	250	500	2	12.27
82KSW1C1001500__		1500	164	87	45	250	500	3	18.41
82KSW1C1002000__		2000	164	87	45	250	500	4	24.54

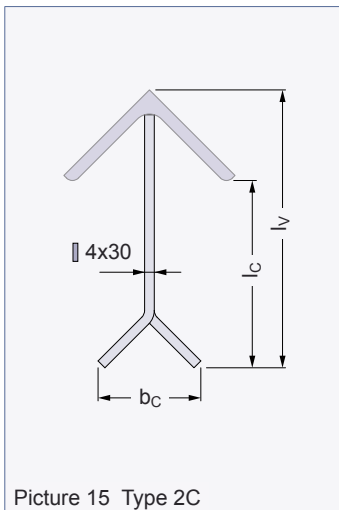


Table 9: Corner guard type 2C

Ref.-No.	Angle Type 2	L [mm]	l _v [mm]	l _c [mm]	b _c [mm]	a _r [mm]	a _a [mm]	Anchor [Piece]	Weight [kg/pc.]
82KSW2C0501000__	50×5	1000	114	76	45	250	500	2	3.98
82KSW2C0501500__		1500	114	76	45	250	500	3	5.97
82KSW2C0502000__		2000	114	76	45	250	500	4	7.96
82KSW2C0601000__	60×6	1000	116	70	45	250	500	2	5.63
82KSW2C0601500__		1500	116	70	45	250	500	3	8.44
82KSW2C0602000__		2000	116	70	45	250	500	4	11.26
82KSW2C0801000__	80×8	1000	162	102	45	250	500	2	9.92
82KSW2C0801500__		1500	162	102	45	250	500	3	14.89
82KSW2C0802000__		2000	162	102	45	250	500	4	19.85
82KSW2C1001000__	100×8	1000	165	90	45	250	500	2	12.49
82KSW2C1001500__		1500	165	90	45	250	500	3	18.74
82KSW2C1002000__		2000	165	90	45	250	500	4	24.99

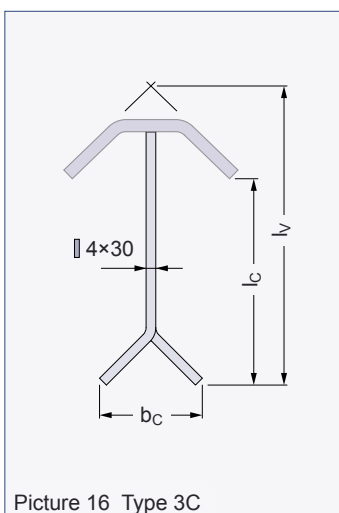


Table 10: Corner guard type 3C

Ref.-No.	Angle Type 3	L [mm]	l _v [mm]	l _c [mm]	b _c [mm]	a _r [mm]	a _a [mm]	Anchor [Piece]	Weight [kg/pc.]
82KSW3C0501000__	53×5	1000	122	81	45	250	500	2	3.76
82KSW3C0501500__		1500	122	81	45	250	500	3	5.64
82KSW3C0502000__		2000	122	81	45	250	500	4	7.52
82KSW3C0601000__	64×6	1000	123	75	45	250	500	2	5.42
82KSW3C0601500__		1500	123	75	45	250	500	3	8.12
82KSW3C0602000__		2000	123	75	45	250	500	4	10.83
82KSW3C0801000__	84×6	1000	169	107	45	250	500	2	7.39
82KSW3C0801500__		1500	169	107	45	250	500	3	11.08
82KSW3C0802000__		2000	169	107	45	250	500	4	14.77
82KSW3C1001000__	110×8	1000	185	103	45	250	500	2	12.27
82KSW3C1001500__		1500	185	103	45	250	500	3	18.41
82KSW3C1002000__		2000	185	103	45	250	500	4	24.54